

## 2.5 to 9600SPS, 24-bit Sigma-Delta ADC with PGA and Voltage Reference

### FEATURES

**Programmable Gain: 1/2/4/8/16/32/64/128/256**  
**Data Rates: 2.5 to 9600SPS**  
**RMS Noise: 30nV at 10SPS (Gain=128)**  
**21.6 Noise Free of Bits at 10SPS (Gain=1)**  
**Offset Drift: 5nV/°C (Gain=128)**  
**Gain Drift: 1ppm/°C**  
**1.17V/2.5V Internal Reference with 5ppm/°C Drift**  
**Integral Non-Linearity: 3ppm**  
**Internal or External Clock**  
**Simultaneous 50Hz/60Hz Rejection**  
**Programmable Current Sources**  
**On-Chip Bias Voltage Generator**  
**Burnout Current Sources**  
**Parity Check**  
**Power Supply**  
**AVDD: 2.7V to 5.25V or ±2.5V**  
**DVDD: 2.7V to 5.25V**

**Current: 800µA**  
**Package: 16/20/24-lead TSSOP**

### APPLICATIONS

**Weigh Scales**  
**Strain Gauges**  
**Pressure Sensors**  
**Temperature Measurement**  
**Industrial Process Control**

### DESCRIPTION

The SIG24130/1/2 are low noise, low drift, and high-resolution 24-bit analog-to-digital converters (ADC) with integrated programmable gain amplifier (PGA) and low drift on-chip voltage reference that offers high-accuracy measurement solutions for bridge sensors, thermocouples, and resistance temperature devices (RTD).

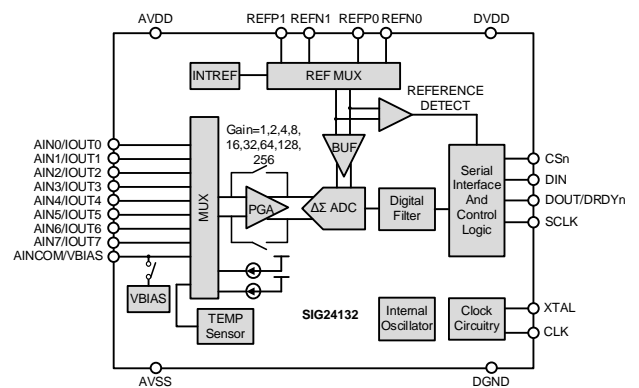
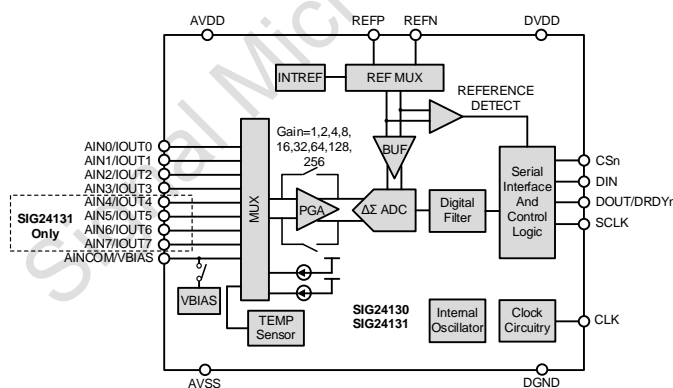
The device contains a low noise PGA with gains selected from 1, 2, 4, 8, 16, 32, 64, 128, and 256, a delta-sigma ( $\Delta$ - $\Sigma$ ) modulator, and a programmable SINC1/SINC4 digital filter. A low drift 1.17V or 2.5V reference is integrated on chip and two matched excitation current sources (IDACs) are provided for accurate RTD measurement. The output data rate from the device can be configured to 2.5 to 9600SPS. Burnout current sources are provided at the analog inputs for sensor connection diagnosis.

Offset and gain calibration registers are provided with calibration command or direct register write to calibrate the ADC errors or overall system errors. SPI-compatible interface is used for device configuration and parity check is provided for data integrity.

The on-chip oscillator or an external clock can be used as the clock source to the device.

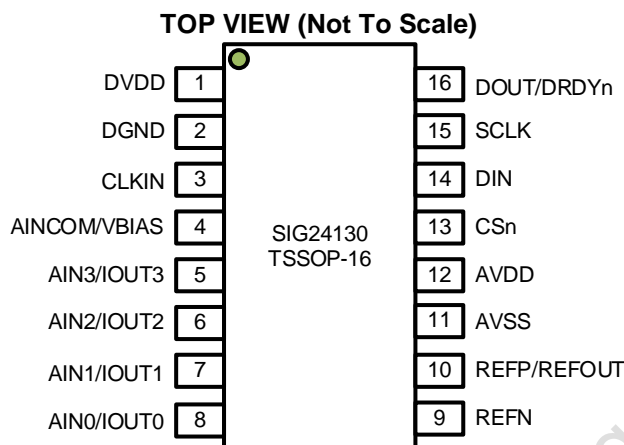
The device can operate with bipolar  $\pm 1.35V$  to  $\pm 2.625V$  analog power supplies, or with a single 2.7V to 5.25V analog power supply.

The SIG24130 is available in 16-lead TSSOP package, the SIG24131 is available in 20-lead TSSOP package, and the SIG24132 is available in 24-lead TSSOP package. All three devices are fully specified over the  $-40^{\circ}C$  to  $+125^{\circ}C$  temperature range.

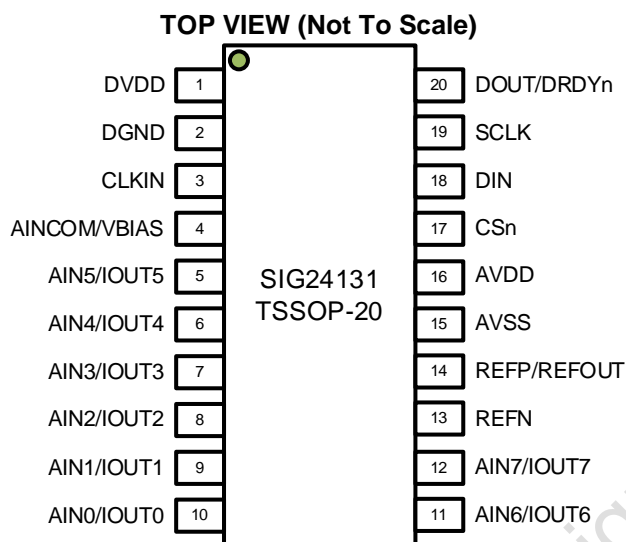


## PIN CONFIGURATION and DESCRIPTIONS

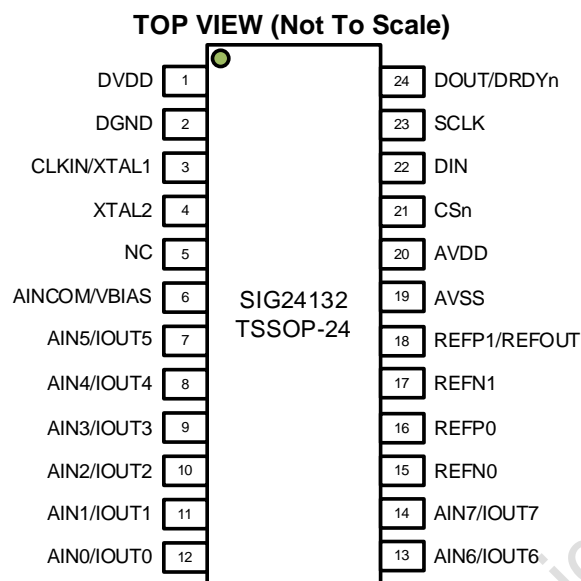
### SIG24130



PIN		FUNCTION	DESCRIPTION
NO.	NAME		
1	DVDD	Digital	Digital power supply, 2.7V to 5.25V. DVDD is independent of AVDD.
2	DGND	Digital	Digital ground reference point.
3	CLKIN	Digital Input	1) Internal oscillator: Connect to DGND. 2) External clock: Connect to external clock input.
4	AINCOM/VBIAS	Analog Input	Analog input common, VBIAS.
5	AIN3/IOUT3	Analog Input	Analog input 3, IDAC3.
6	AIN2/IOUT2	Analog Input	Analog input 2, IDAC2.
7	AIN1/IOUT1	Analog Input	Analog input 1, IDAC1.
8	AIN0/IOUT0	Analog Input	Analog input 0, IDAC0.
9	REFN	Analog Input	Negative reference input.
10	REFP/REFOUT	Analog Input	Positive reference input or internal reference output.
11	AVSS	Analog	Negative analog power supply. AVSS can be taken below DVSS to provide bipolar power supplies. For example, AVSS can be tied to -2.5V and AVDD can be tied to +2.5V, providing a ±2.5V dual supplies to the ADC.
12	AVDD	Analog	Positive analog power supply. 2.7V to 5.25V relative to AVSS. AVDD is independent of DVDD.
13	CSn	Digital Input	Serial chip select. Active low.
14	DIN	Digital Input	Serial data input.
15	SCLK	Digital Input	Serial data clock.
16	DOUT/DRDYn	Digital Output	Serial data output and data ready indicator.

**SIG24131**


NO.	PIN		FUNCTION	DESCRIPTION
	NO.	NAME		
1		DVDD	Digital	Digital power supply, 2.7V to 5.25V. DVDD is independent of AVDD.
2		DGND	Digital	Digital ground reference point.
3		CLKIN	Digital Input	1) Internal oscillator: Connect to DGND. 2) External clock: Connect to external clock input.
4		AINCOM/VBIAS	Analog Input	Analog input common, VBIAS.
5		AIN5/IOUT5	Analog Input	Analog input 5, IDAC5.
6		AIN4/IOUT4	Analog Input	Analog input 4, IDAC4.
7		AIN3/IOUT3	Analog Input	Analog input 3, IDAC3.
8		AIN2/IOUT2	Analog Input	Analog input 2, IDAC2.
9		AIN1/IOUT1	Analog Input	Analog input 1, IDAC1.
10		AIN0/IOUT0	Analog Input	Analog input 0, IDAC0.
11		AIN6/IOUT6	Analog Input	Analog input 6, IDAC6.
12		AIN7/IOUT7	Analog Input	Analog input 7, IDAC7.
13		REFN	Analog Input	Negative reference input.
14		REFP/REFOUT	Analog Input	Positive reference input or internal reference output.
15		AVSS	Analog	Negative analog power supply. AVSS can be taken below DVSS to provide bipolar power supplies. For example, AVSS can be tied to -2.5V and AVDD can be tied to +2.5V, providing a $\pm 2.5V$ dual supplies to the ADC.
16		AVDD	Analog	Positive analog power supply. 2.7V to 5.25V relative to AVSS. AVDD is independent of DVDD.
17		CSn	Digital Input	Serial chip select. Active low.
18		DIN	Digital Input	Serial data input.
19		SCLK	Digital Input	Serial data clock.
20		DOUT/DRDYn	Digital Output	Serial data output and data ready indicator.

**SIG24132**


PIN		FUNCTION	DESCRIPTION
NO.	NAME		
1	DVDD	Digital	Digital power supply, 2.7V to 5.25V. DVDD is independent of AVDD.
2	DGND	Digital	Digital ground reference point.
3	CLKIN/XTAL1	Digital Input	1) Internal oscillator: Connect to DGND. 2) External clock: Connect to external clock input. 3) Crystal oscillator connection 1.
4	XTAL2	Digital Input	Crystal oscillator connection 2.
5	NC	Digital	No connection (float) or connect to DVDD/DGND.
6	AINCOM/VBIAS	Analog Input	Analog input common, VBIAS.
7	AIN5/IOUT5	Analog Input	Analog input 5, IDAC5.
8	AIN4/IOUT4	Analog Input	Analog input 4, IDAC4.
9	AIN3/IOUT3	Analog Input	Analog input 3, IDAC3.
10	AIN2/IOUT2	Analog Input	Analog input 2, IDAC2.
11	AIN1/IOUT1	Analog Input	Analog input 1, IDAC1.
12	AIN0/IOUT0	Analog Input	Analog input 0, IDAC0.
13	AIN6/IOUT6	Analog Input	Analog input 6, IDAC6.
14	AIN7/IOUT7	Analog Input	Analog input 7, IDAC7.
15	REFN0	Analog Input	Negative reference input 0.
16	REFPO	Analog Input	Positive reference input 0.
17	REFN1	Analog Input	Negative reference input 1.
18	REFP1/REFOUT	Analog Input	Positive reference input 1 or internal reference output.
19	AVSS	Analog	Negative analog power supply. AVSS can be taken below DVSS to provide bipolar power supplies. For example, AVSS can be tied to -2.5V and AVDD can be tied to +2.5V, providing a ±2.5V dual supplies to the ADC.
20	AVDD	Analog	Positive analog power supply. 2.7V to 5.25V relative to AVSS. AVDD is independent of DVDD.
21	CSn	Digital Input	Serial chip select. Active low.
22	DIN	Digital Input	Serial data input.
23	SCLK	Digital Input	Serial data clock.
24	DOUT/DRDYn	Digital Output	Serial data output and data ready indicator.

## PACKAGE/ORDERING INFORMATION

MODEL	PACKAGE DESCRIPTION	SPECIFIED TEMPERATURE RANGE	ORDERING NUMBER	PACKING OPTION
SIG24130	TSSOP-16	-40°C to +125°C	SIG24130-ITSP16-RL	Reel, 5000
SIG24131	TSSOP-20	-40°C to +125°C	SIG24131-ITSP20-RL	Reel, 4500
SIG24132	TSSOP-24	-40°C to +125°C	SIG24132-ITSP24-RL	Reel, 3000

## SPECIFICATIONS

### Absolute Maximum Ratings

Over operating free-air temperature range, unless otherwise noted.<sup>(1)</sup>

		MIN	MAX	UNIT
Voltage	AVDD to AVSS	-0.3	6.5	V
	AVSS to DGND	-3	0.3	V
	DVDD to DGND	-0.3	6.5	V
	Analog input	$V_{AVSS} - 0.3$	$V_{AVDD} + 0.3$	V
	Digital input	$V_{DGND} - 0.3$	$V_{DVDD} + 0.3$	V
Current	Input current	-10	10	mA
Temperature	Junction ( $T_J$ )	-50	150	°C
	Storage ( $T_{stg}$ )	-60	150	°C

(1) Stresses beyond those listed under *Absolute Maximum Ratings* may cause permanent damage to the device. These is a stress rating only; functional operation of the device at these or any other conditions above those indicated in the operational section of this specification is not implied. Exposure to absolute maximum rating conditions for extended periods may affect device reliability.

### ESD Ratings

SYMBOL	PARAMTER	CONDITION	VALUE	UNIT
HBM	Human-body Model	ANSI/ESDA/JEDEC JS-001	±4000	V
CDM	Charged-device model	JEDEC EIA/JS-002-2022	±2000	V



This integrated circuit can be damaged by ESD. Signal Micro recommends that all integrated circuits be handled with appropriate precautions. Failure to observe proper handling and installation procedures can cause damage. ESD damage can range from subtle performance degradation to complete device failure. Precision integrated circuits may be more susceptible to damage because very small parametric changes could cause the device not to meet its published specifications.

## Electrical Characteristics

Minimum/Maximum specifications apply from -40°C to +125°C. Typical specifications are at +25°C. All specifications are at  $V_{AVDD}=5V$ ,  $V_{AVSS}=0V$ ,  $V_{DVDD}=3.3V$ ,  $V_{REF}=2.5V$ ,  $f_{CLK}=1.536MHz$ , data rate=10SPS, and PGA Gain=1, unless otherwise noted.

PARAMETER	TEST CONDITION OR NOTES	MIN <sup>(1)</sup>	TYP	MAX <sup>(1)</sup>	UNITS
<b>ANALOG INPUTS</b>					
Differential Input Voltage	$V_{IN} = V_{INP} - V_{INN}$	$-V_{REF}/Gain$		$+V_{REF}/Gain$	V
Absolute Input Voltage	PGA bypass	$V_{AVSS} - 0.05$		$V_{AVDD} + 0.05$	V
	PGA enabled	$V_{AVSS} + 0.2$		$V_{AVDD} - 0.2$	V
Common MODE Input Range	PGA enabled	$V_{AVSS} + 0.2 +  V_{INMAX}  \cdot Gain/2$		$V_{AVDD} - 0.2 -  V_{INMAX}  \cdot Gain/2$	V
Absolute Input Current	PGA bypass		±10		nA
	PGA enabled		±1		nA
<b>SYSTEM PERFORMANCE</b>					
PGA Gain			1/2/4/8/16/32/64/128/256		V/V
Resolution			24		Bits
Data Rate		2.5		9600	SPS
Noise			See Noise Table		
Integral Nonlinearity (INL)			±3		ppm
Offset Error	All PGA gains		±256/Gain		µV
	After calibration		In order of noise		
Offset Drift vs. Temperature	All PGA gains		±256/Gain ± 3		nV/°C
Gain Error <sup>(2)</sup>	Gain=1 to 128	-300	±100	300	ppm
	Gain=256	-450	±200	450	ppm
Gain Mismatch <sup>(2)</sup>	Gain=1 to 128		200	350	ppm
Gain Drift vs. Temperature	All PGA gains	-3	±1	3	ppm/°C
Normal MODE Rejection (NMRR)	$f_{IN}=50/60Hz$ , ±2%, data rate=10SPS		See Table 1		dB
Common MODE Rejection (CMRR)	$f_{IN}=50/60Hz$ , data rate=1200SPS	100	120		dB
Power Supply Rejection (PSRR)	AVDD, AVSS	75	90		dB
	DVDD	80	120		dB
<b>EXTERNAL REFERENCE INPUT</b>					
Differential Reference Voltage ( $V_{REF}$ )	$V_{REF} = V_{REFP} - V_{REFN}$	0.5		$V_{AVDD} - V_{AVSS} + 0.1$	V
Absolute Negative Reference Voltage ( $V_{REFN}$ )		$V_{AVSS} - 0.05$		$V_{REFP} - 0.5$	V
Absolute Positive Reference Voltage ( $V_{REFP}$ )		$V_{REFN} + 0.5$		$V_{AVDD} + 0.05$	V
Average Voltage Input Current			50		nA
<b>INTERNAL VOLTAGE REFERENCE</b>					
Reference Voltage			2.5		V
Initial Accuracy	$T_A = 25^\circ C$	-0.1%	±0.01%	+0.1%	
Voltage Temperature Drift	$T_A = -40^\circ C$ to $125^\circ C$	-20	±5	+20	ppm/°C
Power Supply Rejection			90		dB
<b>EXCITATION CURRENT SOURCES</b>					
Output Current	$V_{REFP} = 2.5V$		10/50/100/200/250/500/1000		µA
Compliance Voltage <sup>(3)</sup>	IDAC ≤ 250µA	$V_{AVSS}$		$V_{AVDD} - 0.5$	V
	IDAC = 500µA	$V_{AVSS}$		$V_{AVDD} - 0.6$	V
	IDAC = 1000µA	$V_{AVSS}$		$V_{AVDD} - 0.8$	V
Accuracy	IDAC = 10µA	-4%	±2%	+4%	
	IDAC ≥ 50µA	-2%	±1%	+2%	
Current Mismatch	IDAC = 10µA	-3.0%	±0.60%	+3.0%	

	IDAC = 50 $\mu$ A	-1.5%	$\pm 0.25\%$	+1.5%	
	IDAC = 100 $\mu$ A	-1.2%	$\pm 0.20\%$	+1.2%	
	IDAC = 200 $\mu$ A, 250 $\mu$ A	-1.0%	$\pm 0.18\%$	+1.0%	
	IDAC = 500 $\mu$ A	-0.8%	$\pm 0.12\%$	+0.8%	
	IDAC = 1000 $\mu$ A	-0.6%	$\pm 0.1\%$	+0.6%	
Temperature Drift		-90	$\pm 20$	+90	ppm/ $^{\circ}$ C
Temperature Drift Mismatch		-30	$\pm 5$	+30	ppm/ $^{\circ}$ C
<b>BURNOUT CURRENT SOURCES</b>					
Current Setting			1		$\mu$ A
<b>TEMPERATURE SENSOR</b>					
Output Voltage			113.3		mV
Temperature Coefficient			377.6		$\mu$ V/ $^{\circ}$ C
<b>ADC CLOCK</b>					
External Clock	Frequency Range	1	1.536	1.6	MHz
	Duty Cycle	40%		60%	
Internal Oscillator	Nominal Frequency		1.536		MHz
	Accuracy	-2%	$\pm 0.5\%$	+2%	
<b>DIGITAL INPUT/OUTPUT</b>					
High-level Output Voltage ( $V_{OH}$ )	$I_{OH} = 4\text{mA}$	$0.8 \cdot V_{DVDD}$			V
Low-level Output Voltage ( $V_{OL}$ )	$I_{OL} = -4\text{mA}$			$0.2 \cdot V_{DVDD}$	V
High-level Input Voltage ( $V_{IH}$ )		$0.7 \cdot V_{DVDD}$		$V_{DVDD}$	V
Low-level Input Voltage ( $V_{IL}$ )		$V_{DGND}$		$0.3 \cdot V_{DVDD}$	V
Input Hysteresis			0.5		V
Input Leakage				$\pm 10$	$\mu$ A
<b>POWER SUPPLY</b>					
AVSS Voltage ( $V_{AVSS}$ )		-2.625		0	V
AVDD Voltage ( $V_{AVDD}$ )		$V_{AVSS} + 2.7$		$V_{AVSS} + 5.25$	V
DVDD Voltage ( $V_{DVDD}$ )		2.7		5.25	V
AVDD, AVSS Current ( $I_{AVDD}$ )	Buffer Off		250	350	$\mu$ A
	Buffer On		600	750	$\mu$ A
	Sleep MODE		1		$\mu$ A
DVDD Current ( $I_{DVDD}$ )	Active MODE		180	300	$\mu$ A
	Sleep MODE		40		$\mu$ A
Total Power Dissipation	Buffer Off		1.9		mW
	Buffer On		3.6		mW
	Sleep MODE		0.13		mW
<b>TEMPERATURE RANGE</b>					
Specified temperature range		-40		125	$^{\circ}$ C
Operating temperature range		-50		125	$^{\circ}$ C
Storage temperature range		-60		150	$^{\circ}$ C

- (1) Compliance to datasheet limits is assured by one or more methods: production test, characterization and/or design.  
(2) MIN and MAX values listed for gain error are for +25 $^{\circ}$ C room temperature only.  
(3) The IDAC current does not change by more than 0.01% from the nominal value when staying within the specified compliance voltage.

## Timing Requirements: Serial Interface

Over the operating ambient temperature range and DVDD = 2.7V to 5.25V, unless otherwise noted.

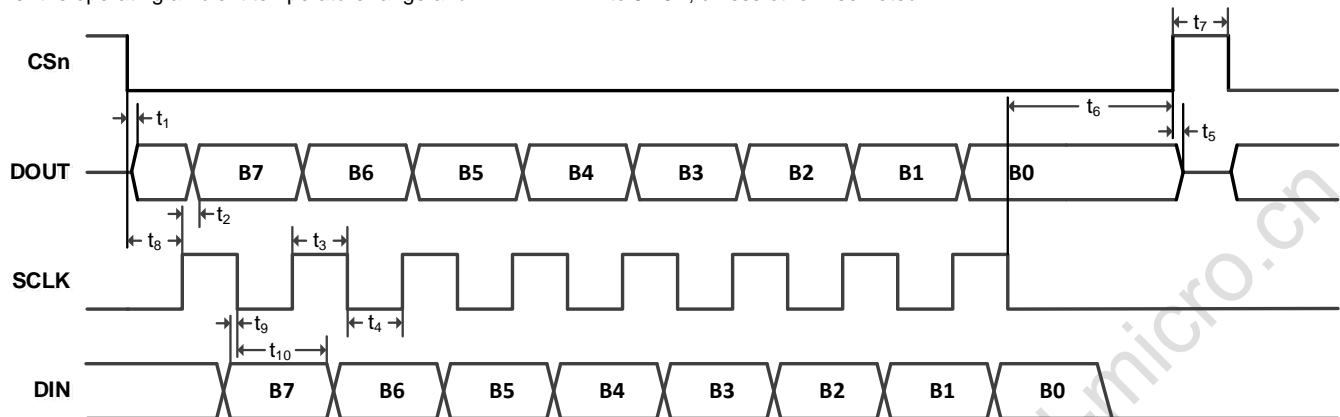


Figure 1. Serial Interface Timing Requirements

SYMBOL	DESCRIPTION	MIN	MAX	UNIT
$t_1$	CSn falling edge to DOUT/DRDYn driven: propagation delay <sup>(1)</sup>		50	ns
$t_2$	SCLK rising edge to valid DOUT/DRDYn: propagation delay <sup>(1)</sup>		50	ns
$t_3$	SCLK high pulse width	100		ns
$t_4$	SCLK low pulse width	100		ns
	SCLK period	200	$10^6$	ns
$t_5$	CSn rising edge to DOUT high impedance: propagation delay		40	ns
$t_6$	Last SCLK falling edge to CSn rising edge: delay time	50		ns
$t_7$	CSn high pulse width	50		ns
$t_8$	CSn falling edge to first SCLK rising edge: setup time <sup>(2)</sup>	50		ns
$t_9$	Valid DIN to SCLK falling edge: setup time	50		ns
$t_{10}$	Valid DIN to SCLK falling edge: hold time	25		ns

(1) DOUT load = 20pF || 100k $\Omega$  to DGND.

(2) CSn can be tied low.



---

## NOISE PERFORMANCE

The noise performance of the ADC is affected by PGA gain, data rate, and digital filter setting. The following tables show the rms noise and peak-to-peak noise for SINC4 and SINC1 filters. The effective number of bits (ENOB) and noise-free bits are also listed according to Equation (1) and Equation (2):

$$\text{ENOB} = \log_2(2 \times V_{\text{REF}} / \text{Gain} / V_{\text{RMS}}) \quad (1)$$

$$\text{Noise Free Bits} = \log_2(2 \times V_{\text{REF}} / \text{Gain} / V_{\text{p-p}}) \quad (2)$$

The noise data listed in the table are typical and are generated from continuous ADC readings with differential input voltage of 0 V.

**Table 1. ADC Noise in  $\mu\text{VRMS}$  ( $\mu\text{VPP}$ ) at  $T_A = 25^\circ\text{C}$ ,  $V_{\text{AVDD}} = 5\text{ V}$ ,  $V_{\text{AVSS}} = 0\text{ V}$ ,  $V_{\text{REF}} = 2.5\text{ V}$ , SINC4 Filter**

Data Rate (SPS)	PGA GAIN								
	1	2	4	8	16	32	64	128	256
2.5	0.280(1.53)	0.160(0.833)	0.098(0.471)	0.052(0.267)	0.035(0.192)	0.023(0.105)	0.017(0.088)	0.015(0.077)	0.014(0.066)
5	0.396(2.16)	0.227(1.18)	0.138(0.667)	0.074(0.378)	0.049(0.271)	0.032(0.148)	0.025(0.125)	0.021(0.109)	0.019(0.093)
10	0.559(3.05)	0.320(1.67)	0.196(0.943)	0.105(0.535)	0.070(0.383)	0.046(0.209)	0.035(0.177)	0.030(0.155)	0.028(0.132)
12.5	0.625(3.41)	0.358(1.86)	0.219(1.05)	0.117(0.598)	0.078(0.428)	0.051(0.234)	0.039(0.198)	0.033(0.173)	0.031(0.147)
15	0.685(3.74)	0.392(2.04)	0.240(1.15)	0.128(0.655)	0.085(0.469)	0.056(0.256)	0.043(0.217)	0.036(0.189)	0.034(0.161)
20	0.791(4.31)	0.453(2.36)	0.277(1.33)	0.148(0.756)	0.098(0.542)	0.064(0.296)	0.049(0.250)	0.042(0.219)	0.039(0.186)
25	0.884(4.82)	0.507(2.64)	0.309(1.49)	0.166(0.845)	0.110(0.606)	0.072(0.331)	0.055(0.280)	0.047(0.245)	0.044(0.208)
30	0.969(5.28)	0.555(2.89)	0.339(1.63)	0.182(0.926)	0.121(0.663)	0.079(0.362)	0.060(0.306)	0.051(0.268)	0.048(0.228)
40	1.12(6.10)	0.641(3.33)	0.391(1.89)	0.210(1.07)	0.139(0.766)	0.091(0.418)	0.070(0.354)	0.059(0.309)	0.055(0.263)
50	1.25(6.82)	0.717(3.73)	0.438(2.11)	0.235(1.20)	0.156(0.856)	0.102(0.468)	0.078(0.395)	0.066(0.346)	0.062(0.294)
60	1.37(7.47)	0.785(4.08)	0.479(2.31)	0.257(1.31)	0.171(0.938)	0.112(0.512)	0.085(0.433)	0.072(0.379)	0.067(0.322)
80	1.58(8.63)	0.906(4.71)	0.554(2.67)	0.297(1.51)	0.197(1.08)	0.129(0.592)	0.098(0.500)	0.084(0.438)	0.078(0.372)
100	1.77(9.65)	1.01(5.27)	0.619(2.98)	0.332(1.69)	0.220(1.21)	0.144(0.662)	0.110(0.559)	0.093(0.489)	0.087(0.416)
120	2.03(10.7)	1.24(7.31)	0.713(3.47)	0.347(1.94)	0.214(1.17)	0.156(0.932)	0.103(0.547)	0.102(0.566)	0.088(0.462)
160	2.16(10.4)	1.40(8.65)	0.739(4.40)	0.446(2.42)	0.271(1.27)	0.175(0.969)	0.130(0.622)	0.108(0.615)	0.105(0.511)
200	2.48(14.9)	1.65(9.65)	0.856(4.40)	0.466(2.67)	0.306(1.41)	0.177(1.12)	0.126(0.664)	0.119(0.705)	0.125(0.701)
240	3.19(16.4)	1.68(10.6)	0.867(4.92)	0.530(2.94)	0.297(1.62)	0.218(1.37)	0.141(0.759)	0.146(0.770)	0.132(0.669)
250	3.18(15.8)	2.01(10.8)	1.08(6.30)	0.641(3.15)	0.393(2.38)	0.249(1.34)	0.149(0.799)	0.152(0.865)	0.134(0.706)
300	3.42(16.7)	2.05(11.5)	1.03(6.75)	0.586(3.32)	0.379(2.34)	0.250(1.47)	0.182(1.10)	0.154(0.889)	0.160(0.850)
400	3.40(19.1)	2.25(13.0)	1.22(7.79)	0.692(3.86)	0.430(2.63)	0.257(1.55)	0.217(1.17)	0.167(1.09)	0.162(1.25)
480	4.37(33.2)	2.54(15.5)	1.36(8.54)	0.730(4.53)	0.455(2.53)	0.304(1.77)	0.232(1.60)	0.188(1.02)	0.184(1.14)
500	4.12(26.1)	2.75(19.9)	1.51(8.91)	0.852(5.80)	0.501(2.82)	0.340(2.29)	0.251(1.42)	0.207(1.19)	0.189(1.04)
600	4.49(27.3)	2.81(16.4)	1.62(8.76)	0.872(5.81)	0.500(2.93)	0.339(2.21)	0.250(1.47)	0.209(1.31)	0.212(1.36)
800	5.29(34.7)	3.12(22.0)	1.76(12.6)	0.953(7.12)	0.604(4.10)	0.384(2.79)	0.307(1.77)	0.246(1.92)	0.245(1.45)
1000	6.66(46.7)	3.87(25.2)	2.16(14.0)	1.18(7.04)	0.690(4.53)	0.477(3.33)	0.349(2.15)	0.287(1.96)	0.270(1.74)
1200	6.36(44.0)	3.87(23.1)	2.14(14.5)	1.15(7.27)	0.729(4.83)	0.493(3.44)	0.354(2.66)	0.326(2.27)	0.303(1.95)
2000	9.53(68.6)	5.76(39.7)	3.10(23.6)	1.73(10.2)	1.05(6.70)	0.699(4.71)	0.497(3.89)	0.423(2.94)	0.390(2.93)
2400	9.61(58.1)	5.55(34.9)	3.11(21.9)	1.72(12.9)	1.00(6.52)	0.684(4.78)	0.511(3.17)	0.426(3.17)	0.421(3.21)
4000	30.4(213)	16.4(120)	8.16(55.7)	4.20(28.2)	2.27(16.2)	1.29(9.73)	0.842(6.37)	0.649(4.77)	0.565(4.17)
4800	30.9(223)	16.3(122)	8.20(64.2)	4.27(30.8)	2.29(17.2)	1.29(9.36)	0.843(5.90)	0.664(5.00)	0.588(4.82)
8000	31.1(3520)	154(1140)	79.1(730)	38.7(380)	19.2(163)	9.88(82.2)	4.94(37.4)	2.56(18.0)	1.44(11.2)
9600	307(2690)	156(1370)	77.9(623)	39.1(368)	19.9(180)	9.79(88.5)	5.14(41.9)	2.53(17.6)	1.48(11.1)

**Table 2. ADC ENOB (Noise Free Bits) at  $T_A = 25^\circ\text{C}$ ,  $V_{\text{AVDD}} = 5\text{ V}$ ,  $V_{\text{AVSS}} = 0\text{ V}$ ,  $V_{\text{REF}} = 5\text{ V}$ , SINC4 Filter**

Data Rate (SPS)	PGA GAIN								
	1	2	4	8	16	32	64	128	256
2.5	25.1(22.6)	24.7(22.3)	24.6(22.2)	24.5(22.1)	24.1(21.7)	23.7(21.2)	23.2(20.9)	22.4(20.1)	21.5(19.1)
5	24.6(22.1)	24.2(21.8)	24.1(21.7)	24.0(21.6)	23.6(21.2)	23.2(20.7)	22.7(20.4)	21.9(19.6)	21.0(18.6)
10	24.1(21.6)	23.7(21.3)	23.6(21.2)	23.5(21.1)	23.1(20.7)	22.7(20.2)	22.2(19.9)	21.4(19.1)	20.5(18.1)
12.5	23.9(21.5)	23.5(21.2)	23.5(21.0)	23.4(21.0)	23.0(20.5)	22.5(20.0)	22.0(19.7)	21.2(18.9)	20.3(17.9)
15	23.8(21.3)	23.4(21.0)	23.3(20.9)	23.3(20.8)	22.8(20.4)	22.4(19.9)	21.9(19.6)	21.1(18.8)	20.2(17.8)
20	23.6(21.1)	23.2(20.8)	23.1(20.7)	23.0(20.6)	22.6(20.2)	22.2(19.7)	21.7(19.4)	20.9(18.6)	20.0(17.6)
25	23.4(21.0)	23.0(20.7)	23.0(20.5)	22.9(20.5)	22.5(20.0)	22.0(19.5)	21.5(19.2)	20.7(18.4)	19.8(17.4)
30	23.3(20.8)	22.9(20.5)	22.8(20.4)	22.8(20.3)	22.3(19.9)	21.9(19.4)	21.4(19.1)	20.6(18.3)	19.7(17.3)
40	23.1(20.6)	22.7(20.3)	22.6(20.2)	22.5(20.1)	22.1(19.7)	21.7(19.2)	21.2(18.9)	20.4(18.1)	19.5(17.1)
50	22.9(20.5)	22.5(20.2)	22.5(20.0)	22.4(20.0)	22.0(19.5)	21.5(19.0)	21.0(18.7)	20.2(17.9)	19.3(16.9)
60	22.8(20.3)	22.4(20.0)	22.3(19.9)	22.3(19.8)	21.8(19.4)	21.4(18.9)	20.9(18.6)	20.1(17.8)	19.2(16.8)
80	22.6(20.1)	22.2(19.8)	22.1(19.7)	22.0(19.6)	21.6(19.2)	21.2(18.7)	20.7(18.4)	19.9(17.6)	19.0(16.6)
100	22.4(20.0)	22.0(19.7)	22.0(19.5)	21.9(19.5)	21.5(19.0)	21.0(18.5)	20.5(18.2)	19.7(17.4)	18.8(16.4)
120	22.2(19.6)	21.9(19.4)	22.0(19.9)	21.6(19.4)	21.4(18.9)	21.1(18.8)	20.4(18.3)	19.6(17.1)	18.5(16.0)
160	22.1(19.4)	21.7(19.2)	21.5(18.8)	21.4(19.0)	21.2(18.8)	20.8(18.3)	20.2(17.6)	19.3(17.0)	18.5(16.1)
200	21.9(19.5)	21.5(19.3)	21.4(19.0)	21.2(19.0)	21.0(18.6)	20.7(18.1)	20.0(17.3)	19.3(16.9)	18.5(15.9)
240	21.7(19.4)	21.5(19.1)	21.4(18.8)	21.2(18.5)	20.9(18.5)	20.4(17.9)	19.8(17.2)	19.1(16.6)	18.1(15.7)
250	21.6(19.2)	21.3(18.9)	21.1(18.6)	20.9(18.4)	20.7(18.1)	20.3(17.7)	19.8(17.3)	19.0(16.1)	18.1(15.6)
300	21.5(19.2)	21.3(18.7)	21.1(18.4)	20.9(18.3)	20.8(18.5)	20.3(17.8)	19.8(17.4)	19.0(16.4)	18.1(15.8)
400	21.4(18.8)	21.0(18.3)	20.9(18.3)	20.7(18.1)	20.6(18.0)	20.1(17.3)	19.6(17.0)	18.8(16.2)	17.8(15.3)
480	21.3(18.6)	20.9(18.4)	20.7(18.2)	20.7(18.0)	20.4(18.0)	20.0(17.4)	19.4(16.8)	18.6(15.8)	17.6(15.3)
500	21.0(18.3)	20.7(18.2)	20.8(18.2)	20.4(17.7)	20.2(17.6)	19.9(17.4)	19.2(16.5)	18.6(16.1)	16.2(12.3)
600	21.1(18.4)	20.8(18.0)	20.7(18.0)	20.6(17.8)	20.2(17.7)	19.7(17.1)	19.3(16.7)	18.5(15.9)	17.6(15.1)
800	20.9(18.3)	20.6(17.9)	20.4(17.8)	20.3(17.3)	20.0(17.2)	19.6(17.0)	19.1(16.3)	18.2(15.5)	17.3(14.6)
1000	20.6(18.1)	20.2(17.6)	20.2(17.3)	20.0(17.5)	19.8(16.9)	19.3(16.3)	18.7(16.1)	18.0(15.1)	17.1(14.3)
1200	20.6(17.9)	20.2(17.5)	20.2(17.6)	20.0(17.2)	19.8(17.1)	19.4(16.8)	18.8(16.1)	18.0(15.3)	17.0(14.3)
2000	19.9(17.2)	19.7(16.8)	19.5(16.8)	19.4(16.6)	19.2(16.4)	18.7(16.1)	18.2(15.4)	17.5(14.8)	16.6(13.9)
2400	19.8(17.0)	19.6(16.7)	19.5(16.7)	19.4(16.5)	19.2(16.4)	18.8(16.0)	18.2(15.5)	17.4(14.6)	16.5(13.8)
4000	17.4(14.5)	17.4(14.3)	17.3(14.3)	17.4(14.6)	17.3(14.2)	17.3(14.1)	17.1(14.2)	16.7(13.8)	16.0(13.2)
4800	17.4(14.4)	17.4(14.1)	17.4(14.3)	17.3(14.3)	17.3(14.2)	17.2(14.2)	17.1(14.1)	16.7(13.8)	15.9(13.0)
8000	14.0(11.0)	14.0(11.1)	14.0(10.9)	14.0(10.8)	14.0(10.8)	14.0(10.6)	14.0(10.7)	13.9(10.9)	13.9(11.1)
9600	13.9(10.2)	14.0(10.9)	14.0(10.7)	13.9(10.8)	14.0(10.9)	14.0(11.0)	14.0(10.8)	13.9(11.0)	13.9(10.9)

**Table 3. ADC Noise in  $\mu\text{VRMS}$  ( $\mu\text{VPP}$ ) at  $T_A = 25^\circ\text{C}$ ,  $V_{\text{AVDD}} = 5\text{ V}$ ,  $V_{\text{AVSS}} = 0\text{ V}$ ,  $V_{\text{REF}} = 2.5\text{ V}$ , SINC1 Filter**

Data Rate (SPS)	PGA GAIN								
	1	2	4	8	16	32	64	128	256
2.5	0.440(2.50)	0.255(1.41)	0.132(0.707)	0.076(0.365)	0.045(0.227)	0.032(0.141)	0.023(0.134)	0.019(0.098)	0.018(0.095)
5	0.622(3.53)	0.361(2.00)	0.186(1.00)	0.108(0.517)	0.063(0.321)	0.045(0.200)	0.033(0.190)	0.026(0.139)	0.026(0.134)
10	0.880(5.00)	0.511(2.83)	0.263(1.41)	0.153(0.731)	0.089(0.454)	0.063(0.283)	0.046(0.268)	0.037(0.197)	0.036(0.190)
12.5	0.984(5.59)	0.571(3.16)	0.294(1.58)	0.171(0.817)	0.100(0.507)	0.071(0.316)	0.052(0.300)	0.042(0.220)	0.041(0.212)
15	1.08(6.12)	0.626(3.46)	0.322(1.73)	0.187(0.895)	0.109(0.556)	0.077(0.346)	0.057(0.328)	0.046(0.241)	0.045(0.233)
20	1.24(7.07)	0.723(4.00)	0.372(2.00)	0.216(1.03)	0.126(0.642)	0.089(0.400)	0.065(0.379)	0.053(0.278)	0.051(0.269)
25	1.39(7.90)	0.808(4.47)	0.416(2.24)	0.241(1.16)	0.141(0.717)	0.100(0.447)	0.073(0.424)	0.059(0.311)	0.058(0.301)
30	1.52(8.65)	0.885(4.90)	0.456(2.45)	0.265(1.27)	0.154(0.786)	0.109(0.490)	0.080(0.464)	0.064(0.341)	0.063(0.329)
40	1.76(9.99)	1.02(5.66)	0.526(2.83)	0.305(1.46)	0.178(0.907)	0.126(0.566)	0.092(0.536)	0.074(0.393)	0.073(0.380)
50	1.97(11.2)	1.14(6.32)	0.588(3.16)	0.341(1.63)	0.199(1.01)	0.141(0.632)	0.103(0.600)	0.083(0.440)	0.081(0.425)
60	2.16(12.2)	1.25(6.93)	0.645(3.46)	0.374(1.79)	0.218(1.11)	0.155(0.693)	0.113(0.657)	0.091(0.482)	0.089(0.466)
80	2.49(14.1)	1.45(8.00)	0.744(4.00)	0.432(2.07)	0.252(1.28)	0.179(0.800)	0.131(0.758)	0.105(0.556)	0.103(0.538)
100	2.78(15.8)	1.62(8.94)	0.832(4.47)	0.483(2.31)	0.282(1.43)	0.200(0.894)	0.146(0.848)	0.118(0.622)	0.115(0.601)
120	3.02(15.5)	1.76(9.39)	0.926(5.44)	0.570(3.21)	0.304(1.57)	0.210(1.18)	0.172(0.876)	0.129(0.719)	0.131(0.659)
160	3.45(18.0)	2.14(11.2)	1.10(4.92)	0.622(3.32)	0.435(2.34)	0.254(1.42)	0.176(0.908)	0.169(0.821)	0.145(0.941)
200	4.01(20.9)	2.32(12.8)	1.28(8.31)	0.662(3.32)	0.390(2.05)	0.293(1.80)	0.216(1.09)	0.186(1.05)	0.172(1.00)
240	4.34(22.5)	2.49(13.3)	1.33(7.34)	0.757(3.97)	0.485(2.87)	0.303(1.65)	0.234(1.32)	0.188(1.03)	0.185(0.958)
250	4.48(24.7)	2.69(14.3)	1.51(7.49)	0.848(4.71)	0.489(3.40)	0.319(1.77)	0.263(1.54)	0.199(1.02)	0.214(1.46)
300	4.55(23.4)	2.61(16.8)	1.41(8.76)	0.823(4.86)	0.489(2.53)	0.314(1.79)	0.242(1.44)	0.226(1.41)	0.219(1.42)
400	4.96(30.6)	3.16(17.7)	1.66(9.73)	0.956(6.37)	0.567(3.07)	0.365(2.48)	0.276(1.43)	0.251(1.63)	0.215(1.29)
480	5.64(39.8)	3.32(19.8)	1.82(9.35)	0.992(5.87)	0.626(3.24)	0.385(2.36)	0.312(1.98)	0.267(1.62)	0.246(1.27)
500	5.99(43.7)	3.67(21.9)	2.00(12.5)	1.04(5.98)	0.684(4.01)	0.463(2.97)	0.339(2.18)	0.269(1.61)	0.259(1.45)
600	6.43(39.8)	4.00(28.0)	2.01(11.3)	1.16(6.71)	0.659(4.30)	0.450(2.66)	0.338(1.86)	0.294(2.04)	0.265(1.79)
800	7.21(51.9)	4.21(29.4)	2.31(13.6)	1.31(8.65)	0.760(4.62)	0.526(3.57)	0.381(2.46)	0.332(1.99)	0.311(1.94)
1000	7.95(53.5)	4.69(30.1)	2.56(15.0)	1.48(10.4)	0.856(5.67)	0.575(3.43)	0.443(2.44)	0.369(2.44)	0.333(2.09)
1200	8.36(54.0)	4.83(36.5)	2.67(19.5)	1.43(10.0)	0.914(6.06)	0.604(3.86)	0.432(2.73)	0.377(2.47)	0.371(2.31)
2000	9.70(59.6)	5.75(38.0)	3.08(21.0)	1.74(11.2)	1.02(6.92)	0.663(4.93)	0.508(3.48)	0.419(2.77)	0.376(2.58)
2400	9.50(68.9)	5.79(37.7)	3.17(25.2)	1.74(12.0)	1.02(7.66)	0.682(4.34)	0.524(3.63)	0.441(3.03)	0.421(2.90)
4000	31.2(216)	15.6(128)	8.16(62.4)	4.23(32.7)	2.29(18.9)	1.30(8.85)	0.849(6.04)	0.635(4.56)	0.556(4.20)
4800	32.0(303)	16.3(136)	8.14(57.2)	4.21(34.3)	2.26(18.0)	1.28(9.36)	0.853(6.55)	0.673(5.32)	0.584(4.56)
8000	309(2690)	158(1320)	78.1(777)	40.0(451)	19.6(200)	9.89(95.6)	4.92(46.5)	2.55(22.0)	1.43(12.0)
9600	311(3540)	157(1660)	78.1(754)	38.7(318)	19.6(213)	9.88(80.8)	4.96(36.3)	2.55(19.5)	1.44(10.9)

**Table 4. ADC ENOB (Noise Free Bits) at  $T_A = 25^\circ\text{C}$ ,  $V_{\text{AVDD}} = 5\text{ V}$ ,  $V_{\text{AVSS}} = 0\text{ V}$ ,  $V_{\text{REF}} = 5\text{ V}$ , SINC1 Filter**

Data Rate (SPS)	PGA GAIN								
	1	2	4	8	16	32	64	128	256
2.5	24.5(22.2)	24.0(21.6)	24.1(21.7)	23.8(21.4)	23.6(21.2)	23.2(21.0)	22.7(20.3)	21.9(19.6)	21.0(18.7)
5	24.0(21.7)	23.5(21.1)	23.6(21.2)	23.3(20.9)	23.1(20.7)	22.7(20.5)	22.2(19.8)	21.4(19.1)	20.5(18.2)
10	23.5(21.2)	23.0(20.6)	23.1(20.7)	22.8(20.4)	22.6(20.2)	22.2(20.0)	21.7(19.3)	20.9(18.6)	20.0(17.7)
12.5	23.3(21.0)	22.9(20.4)	22.9(20.5)	22.7(20.3)	22.4(20.1)	22.1(19.8)	21.6(19.1)	20.8(18.4)	19.8(17.5)
15	23.2(20.9)	22.7(20.3)	22.8(20.4)	22.6(20.2)	22.3(20.0)	21.9(19.7)	21.4(19.0)	20.6(18.3)	19.7(17.4)
20	23.0(20.7)	22.5(20.1)	22.6(20.2)	22.3(19.9)	22.1(19.7)	21.7(19.5)	21.2(18.8)	20.4(18.1)	19.5(17.2)
25	22.8(20.5)	22.4(19.9)	22.4(20.0)	22.2(19.8)	21.9(19.6)	21.6(19.3)	21.1(18.6)	20.3(17.9)	19.3(17.0)
30	22.7(20.4)	22.2(19.8)	22.3(19.9)	22.1(19.7)	21.8(19.5)	21.4(19.2)	20.9(18.5)	20.1(17.8)	19.2(16.9)
40	22.5(20.2)	22.0(19.6)	22.1(19.7)	21.8(19.4)	21.6(19.2)	21.2(19.0)	20.7(18.3)	19.9(17.6)	19.0(16.7)
50	22.3(20.0)	21.9(19.4)	21.9(19.5)	21.7(19.3)	21.4(19.1)	21.1(18.8)	20.6(18.1)	19.8(17.4)	18.8(16.5)
60	22.2(19.9)	21.7(19.3)	21.8(19.4)	21.6(19.2)	21.3(19.0)	20.9(18.7)	20.4(18.0)	19.6(17.3)	18.7(16.4)
80	22.0(19.7)	21.5(19.1)	21.6(19.2)	21.3(18.9)	21.1(18.7)	20.7(18.5)	20.2(17.8)	19.4(17.1)	18.5(16.2)
100	21.8(19.5)	21.4(18.9)	21.4(19.0)	21.2(18.8)	20.9(18.6)	20.6(18.3)	20.1(17.6)	19.3(16.9)	18.3(16.0)
120	21.7(19.3)	21.3(18.9)	21.1(18.6)	21.1(18.5)	21.1(18.4)	20.5(18.0)	19.8(17.2)	19.1(16.6)	18.1(15.7)
160	21.4(19.2)	21.2(18.9)	21.0(18.6)	21.0(18.8)	20.6(18.0)	20.4(18.1)	20.0(17.5)	18.8(16.3)	18.0(15.5)
200	21.4(18.9)	21.0(18.6)	15.3(11.6)	20.8(18.5)	20.5(18.0)	20.1(17.5)	19.6(17.2)	18.9(16.4)	17.8(15.4)
240	21.2(18.5)	20.9(18.2)	20.9(18.4)	20.6(18.1)	20.6(17.8)	19.9(17.2)	19.4(16.9)	18.5(16.0)	17.7(15.1)
250	21.1(18.7)	20.6(18.1)	20.7(18.3)	20.6(18.1)	20.3(17.9)	19.8(17.3)	19.2(16.8)	18.5(15.9)	17.7(15.1)
300	21.1(18.4)	20.8(18.3)	20.6(18.0)	20.5(18.0)	20.3(17.5)	19.9(17.1)	19.2(16.6)	18.5(16.0)	17.5(15.1)
400	20.9(18.4)	20.5(18.0)	20.4(17.9)	20.3(17.8)	20.1(17.4)	19.6(17.1)	19.1(16.5)	18.3(15.8)	17.3(14.8)
480	20.7(18.2)	20.5(17.7)	20.4(17.7)	20.2(17.6)	20.0(17.4)	19.5(16.9)	18.9(16.5)	18.2(15.7)	17.2(14.6)
500	20.7(18.1)	20.4(17.7)	20.2(17.7)	20.0(17.4)	19.9(17.3)	19.4(16.8)	18.8(16.4)	18.0(15.4)	17.2(14.5)
600	20.6(18.1)	20.3(17.6)	20.3(17.7)	20.1(17.3)	19.9(17.4)	19.4(16.7)	18.8(16.3)	18.0(15.4)	17.1(14.3)
800	20.5(17.9)	20.2(17.5)	20.0(17.5)	20.0(17.2)	19.6(16.8)	19.2(16.6)	18.6(15.9)	17.9(15.0)	17.0(14.2)
1000	20.3(17.5)	19.9(17.1)	19.9(17.3)	19.7(17.0)	19.5(16.7)	19.0(16.1)	18.4(15.7)	17.7(15.2)	16.8(14.2)
1200	20.1(17.4)	20.0(17.2)	19.8(17.1)	19.7(17.2)	19.4(16.7)	19.0(16.3)	18.4(15.8)	17.7(14.9)	16.8(14.1)
2000	19.9(17.3)	19.6(16.8)	19.5(16.8)	19.4(16.7)	19.1(16.4)	18.8(16.2)	18.2(15.5)	17.5(14.7)	16.6(13.7)
2400	19.8(17.2)	19.6(16.8)	19.5(16.8)	19.4(16.5)	19.2(16.3)	18.8(16.0)	18.2(15.2)	17.4(14.7)	16.5(13.6)
4000	17.4(14.0)	17.4(14.6)	17.4(14.7)	17.3(14.1)	17.3(14.1)	17.2(13.7)	17.1(14.3)	16.7(13.9)	16.0(13.0)
4800	17.4(14.3)	17.4(14.5)	17.3(14.0)	17.3(14.4)	17.3(14.0)	17.2(14.0)	17.0(14.0)	16.7(13.9)	15.9(13.1)
8000	13.9(10.8)	13.9(10.5)	14.0(10.9)	13.9(10.9)	14.0(10.8)	13.9(10.5)	14.0(10.9)	13.9(10.9)	13.9(11.0)
9600	14.0(10.9)	14.0(11.0)	13.9(10.9)	14.0(11.0)	13.9(10.5)	13.9(10.5)	13.9(10.8)	13.9(10.7)	13.9(10.7)

---

## REVISION HISTORY

The revision history provided is for informational purposes only and is believed to be accurate, but not warranted. Please go to web to make sure you have the latest revision.

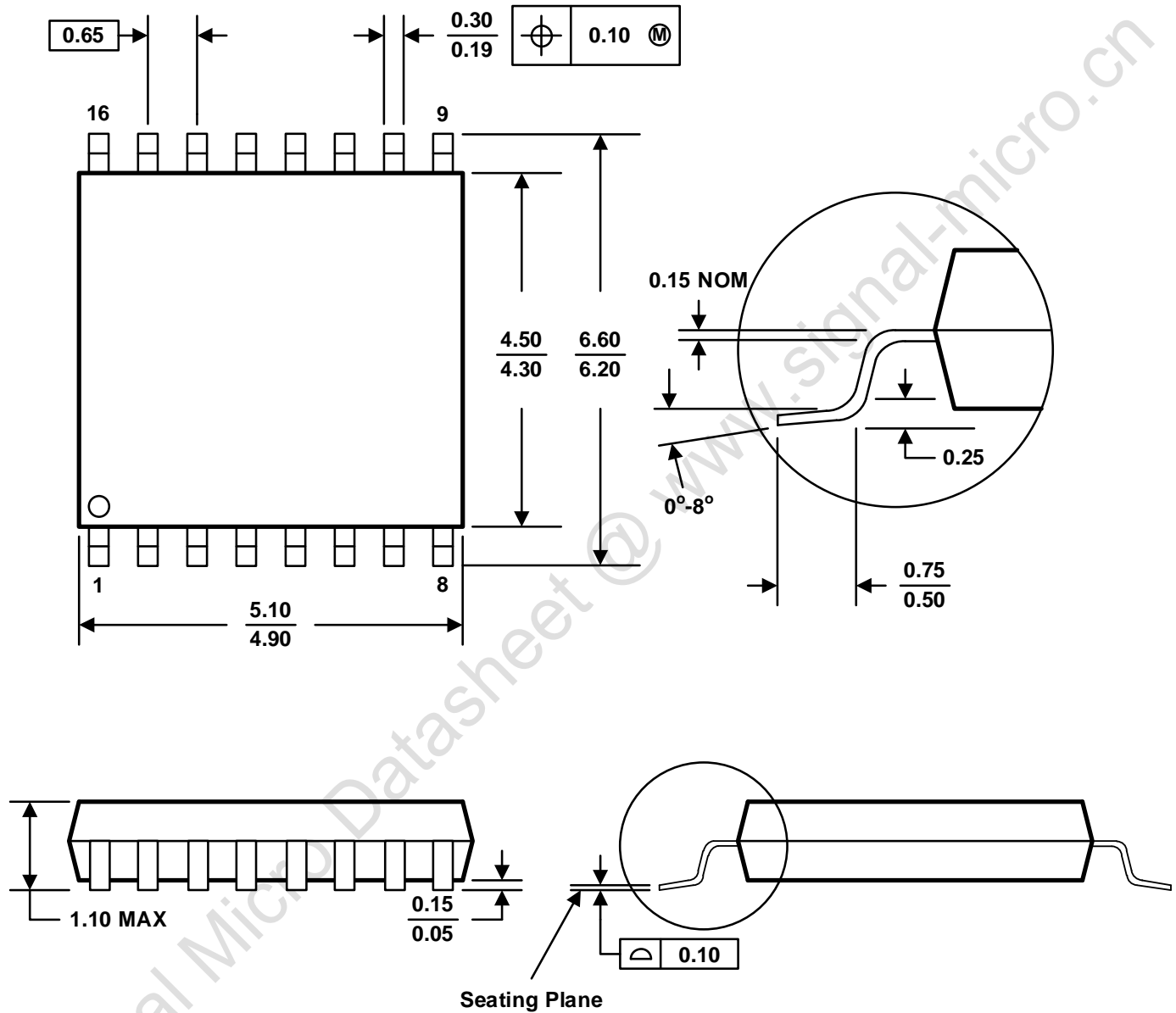
DATE	REVISION	CHANGE
July 12, 2022		Initial release.

## DISCLAIMER

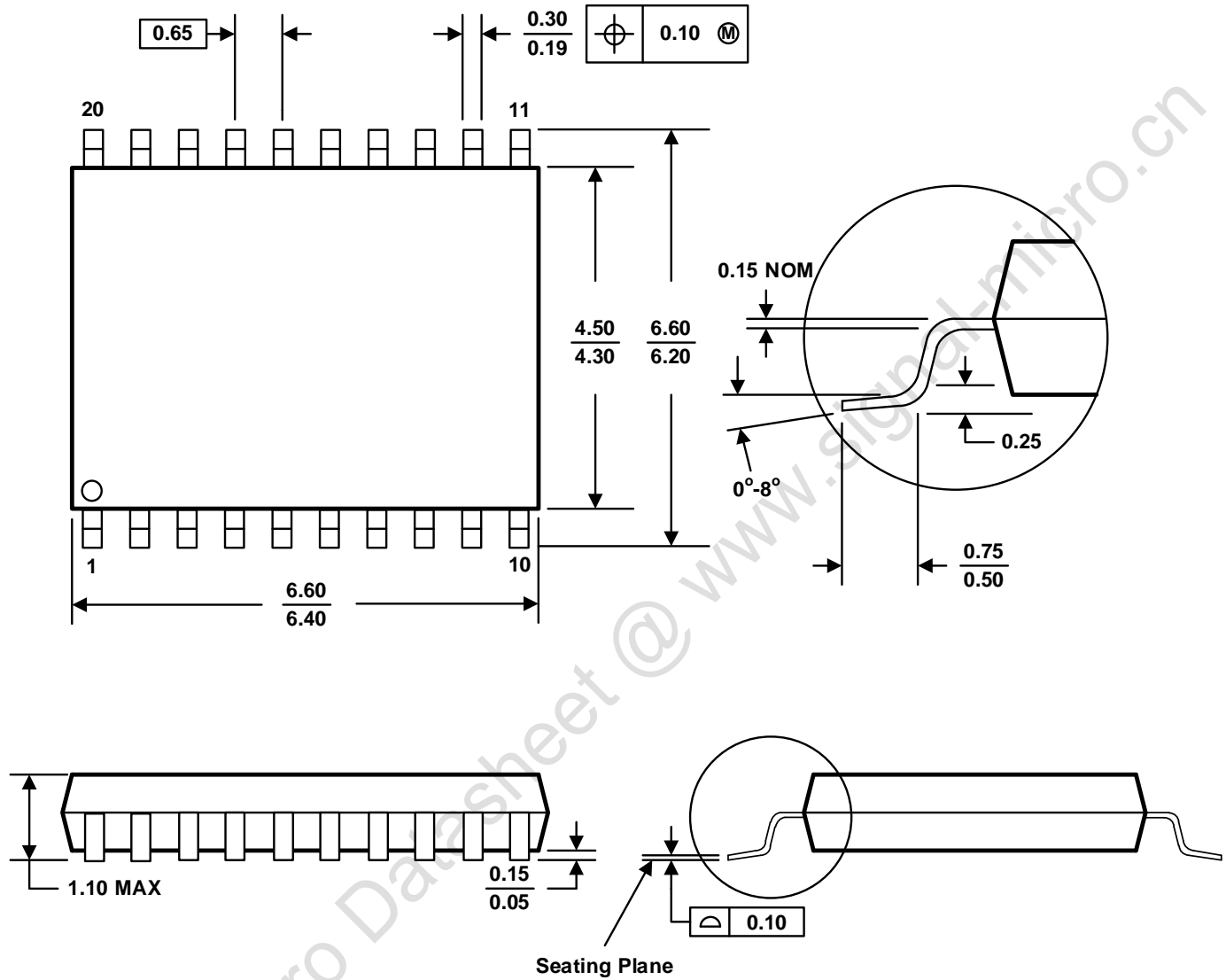
Signal Micro reserves the right to make any change in circuit design, specification or other related things if necessary without notice at any time.

All trademarks and registered trademarks are the property of their respective owners.

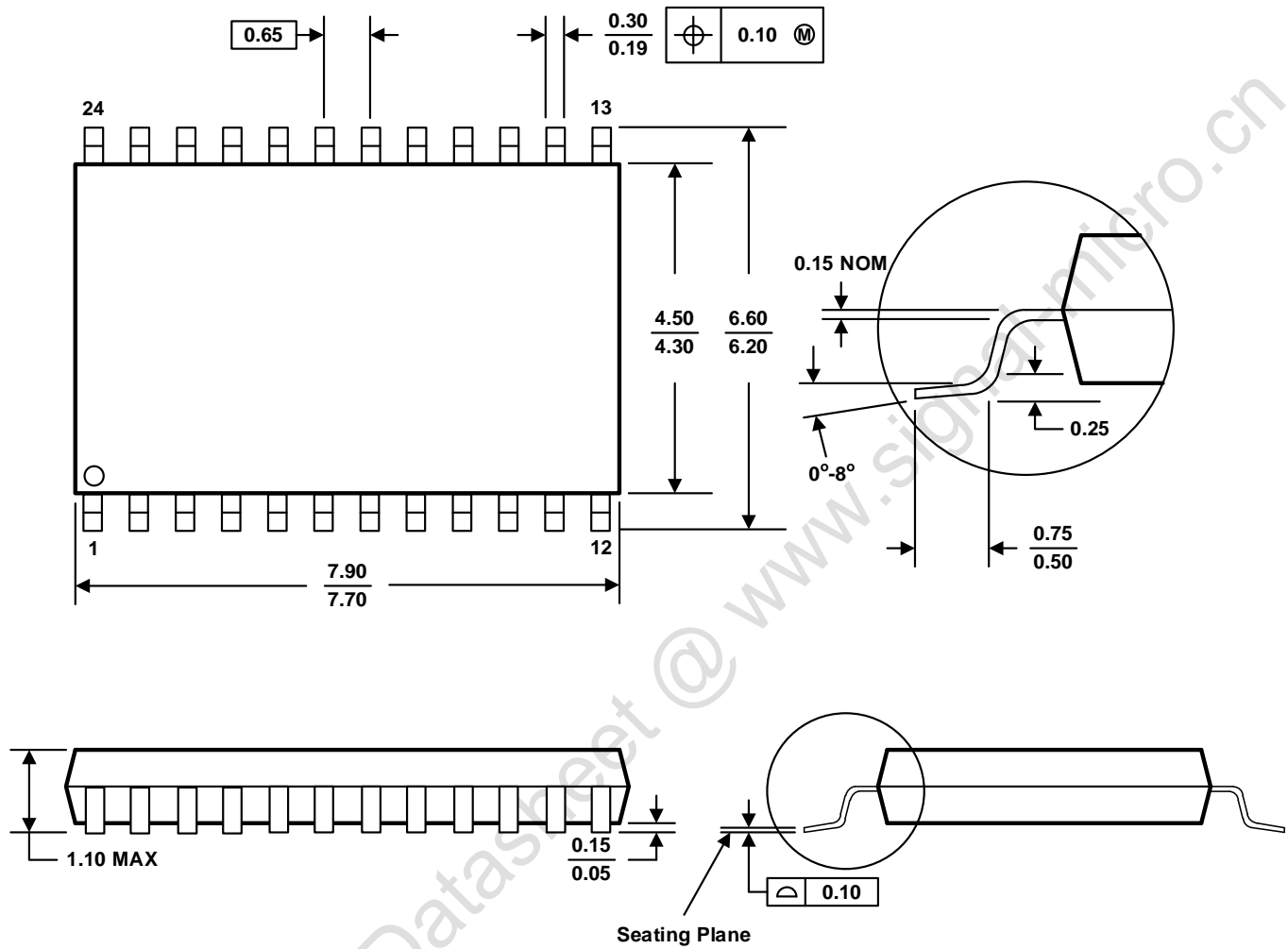
Signal Micro Datasheet @ www.signal-micro.cn

**PACKAGE OUTLINE DIMENSIONS**
**TSSOP-16**


- A. Compliant to JEDEC STANDARDS MO-153-AD.
- B. All linear dimensions are in millimeters.
- C. This drawing is subject to change without notice.

**TSSOP-20**


- A. Compliant to JEDEC STANDARDS MO-153-AD.
- B. All linear dimensions are in millimeters.
- C. This drawing is subject to change without notice.

**TSSOP-24**


- A. Compliant to JEDEC STANDARDS MO-153-AD.
- B. All linear dimensions are in millimeters.
- C. This drawing is subject to change without notice.